

# CABIN & COCKPIT ENTRY HARDWARE

## MA McCoy Swing Door Latch

A



The McCoy is a mortise lock designed for applications where elegant styling and a durable lockset are desired. It offers an exceptionally tough mechanism and a variety of sophisticated design features:

- 100% Marine-grade materials to prevent corrosion
- Double springs keep handle from sagging
- Emergency lock override

**Available Options:**

Finish: Chrome, Diamond Brass, Chrome with Diamond Brass accent, and Satin.

Please contact Southco Marine for other finish options.

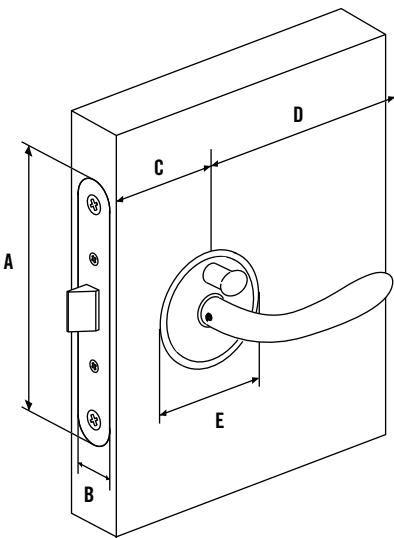
Function: Available with or without privacy lock.

**Appearance:**

Combine handles, escutcheon plates, and accent plates to customise the latch for your application.

For unique styling combine the McCoy with a wide range of stylish Olivari handles. See page 9

**Dimensions**



	Imperial		Metric
	Nominal	Decimal	
A	3 29/32	3.906	99
B	41/64	.640	16
C	1 23/32	1.713	43.5
D	3 15/16	3.937	100
E	2 3/16	2.165	55

**Part Number Selection** (For Strikers please see page 23)

**FF** Finish

- 10 Chrome
- 12 Chrome + Satin Accent
- 14 Chrome + Brass Accent
- 20 Satin
- 21 Satin + Chrome Accent
- 40 Diamond Brass

**MA - BB - D L T - HH - FF**

**BB** Latch Mechanism

- 01 Standard Springbolt
- 08 Double Springbolt

**D** Directional

- 2 Right Out
- 3 Right In
- 4 Left Out
- 5 Left In
- 6 Right Out - Left In
- 7 Left Out - Right In

**HH** Handle

- 01 Nova
- 02 Portofino

**T** Door Thickness

- 0 22-30mm (7/8" - 1 3/16")
- 1 28-37mm (1 1/8" - 1 1/2")

**L** Locking Option

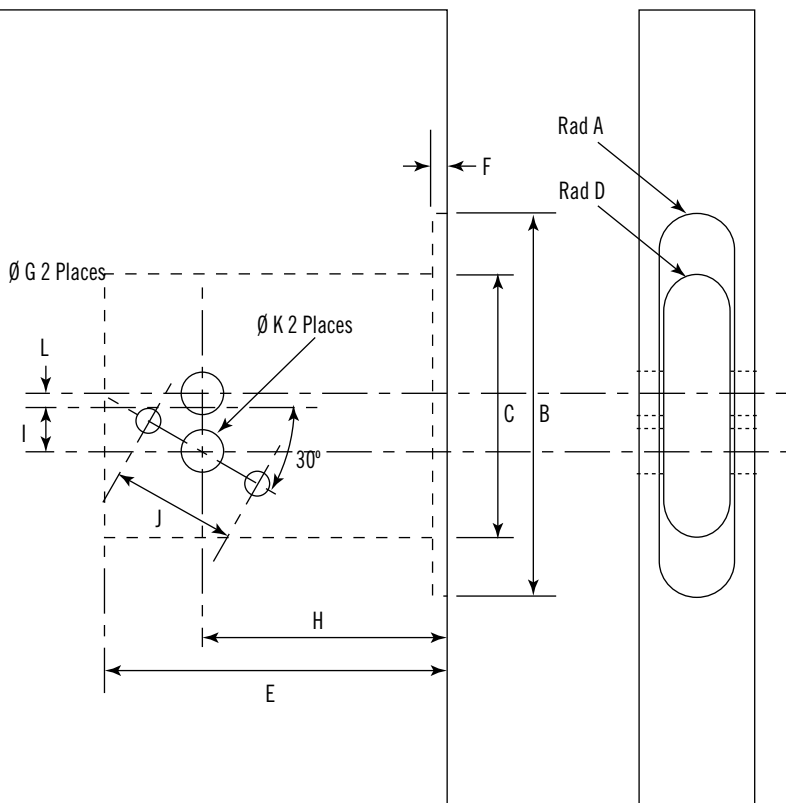
- 0 Non Locking **D** = 6 or 7
- 2 Privacy **D** = 2 to 5



# CABIN & COCKPIT ENTRY HARDWARE

## MA McCoy Swing Door Latch

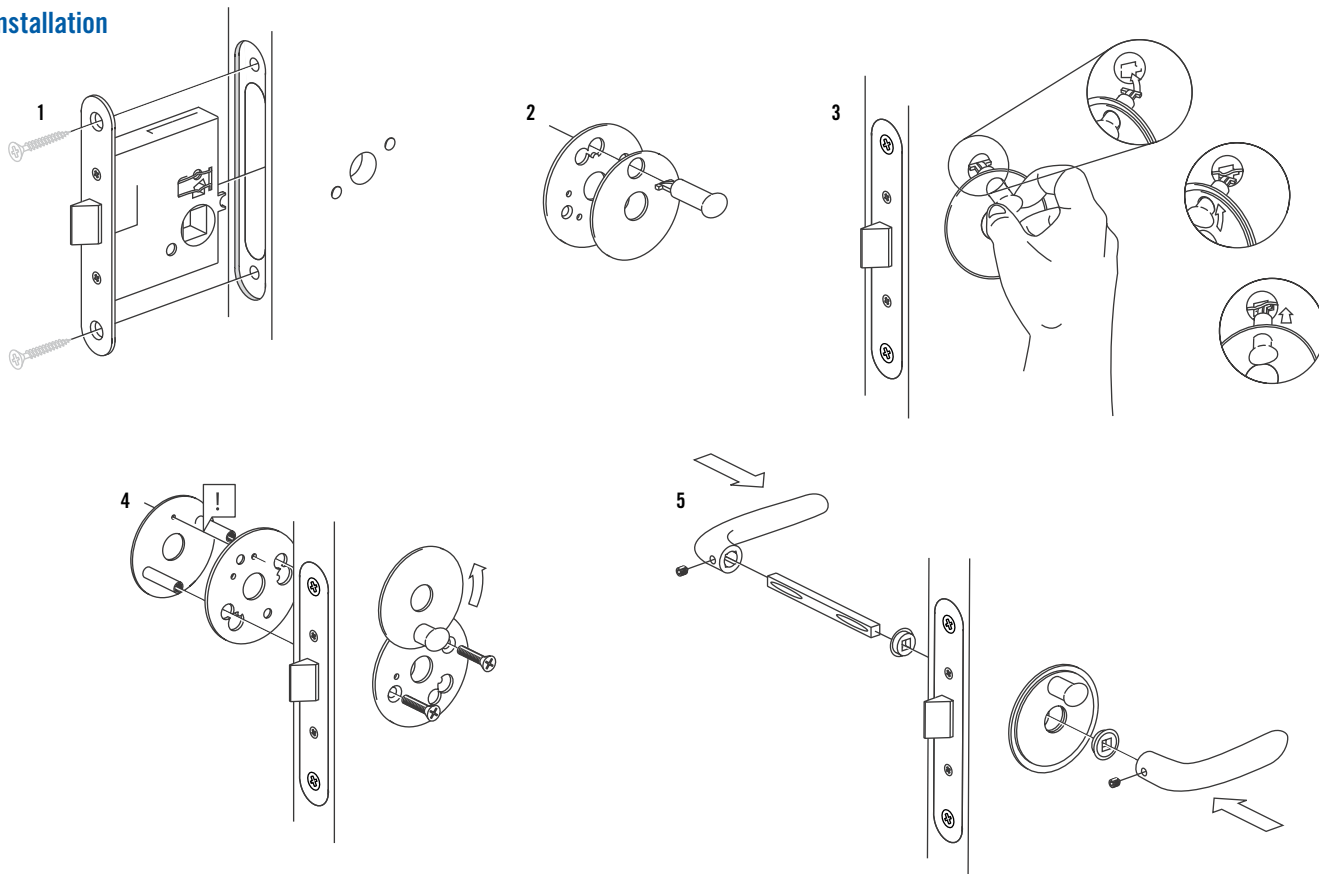
### Panel Preparation



	Imperial		Metric
	Nominal	Decimal	
A	5/16	.318	8.1
B	3 29/32	3.906	99
C	2 31/64	2.480	63
D	1/4	.250	6.5
E	2 3/8	2.375	60
F	5/64	.079	2
G	1/2	.50	13
H	1 25/32	1.772	45
I	1/2	.500	12.5
J	1 1/4	1.26	31.9
K	1/4	.25	6.5

**A**

### Installation



# MA McCoy Star CABIN & COCKPIT ENTRY HARDWARE

A

## McCoy Star Round

Standard Springbolt and Portofino handle shown



## McCoy Star Square

Double Springbolt and Nordic handle shown

(For more information about the Double springbolt contact Southco)

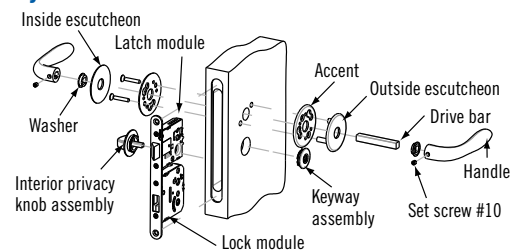


The McCoy Star line of key lockable entry and cabin door latches is designed for applications where a robust and secure design must be achieved with style. With multiple format, installation, locking, and finish options, a variety of McCoy entry door locks can be combined to satisfy the specific mechanical and security needs of multiple door applications throughout an entire boat, while achieving a consistent look and style.

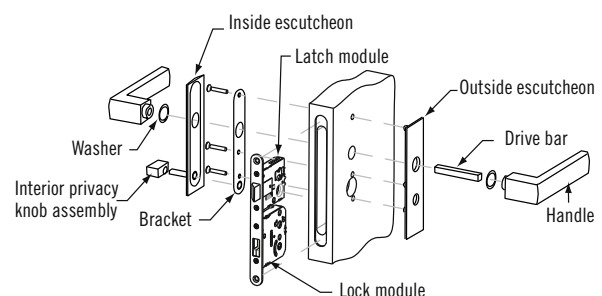
The choice of round and square escutcheon plates enables you to choose the solid performance and secure operation of the McCoy Star-Lock in styles to complement your other hardware.

- Provide high-end security with the Star-Lock system's three-axis six-pin tumbler design
- Enable a "one-key" solution for multiple cabin and entry doors all using the same secure Star-Lock system
- Prevent door lift-off with the Star-Lock hooked locking mechanism that features an active locking deadbolt facing up
- Promote an ergonomic non-slip grip with the molded head of the Star key
- Offer the option of an interior privacy knob with exterior override for non-locking applications
- Enhance your decor options with a wide range of high-quality designer handles, escutcheon plates, and accent plates in a variety of finish options – including diamond brass, polished chrome and satin
- Defend against corrosive environment with all marine-grade construction
- Satisfy door thicknesses ranging from 22 mm to 45 mm
- Reduce closing force and resist vibration with double springbolt option

### McCoy Star Round Installation



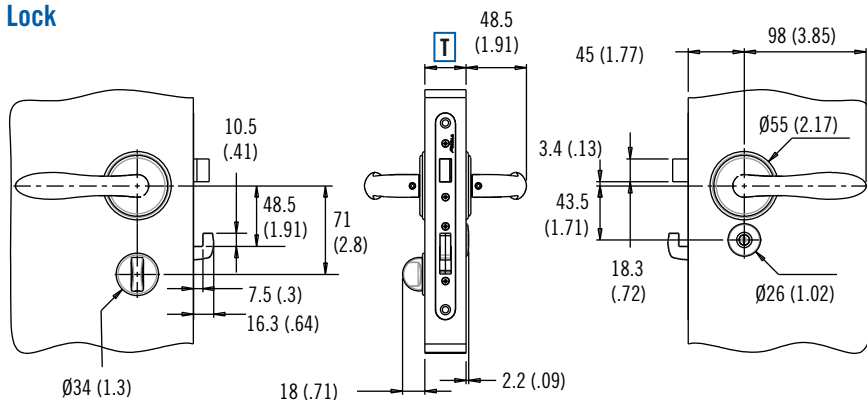
### McCoy Star Square Installation



# CABIN & COCKPIT ENTRY HARDWARE

## MA McCoy Star Round

### Lock



### Part Number Selection

**FF** Finish

- 10 Chrome
- 14 Chrome with diamond brass accent
- 20 Satin (matte chrome)
- 40 Diamond brass

**BB** Latch Mechanism

- 02 McCoy Star Standard Springbolt
- 07 McCoy Star Double Springbolt

**D** Directional

- 2 Right Out
- 3 Right In
- 4 Left Out
- 5 Left In

**L** Locking Option

- 3 Star key lock (2 Star Keys included)
- 5 Privacy knob with emergency egress

**T** Door Thickness

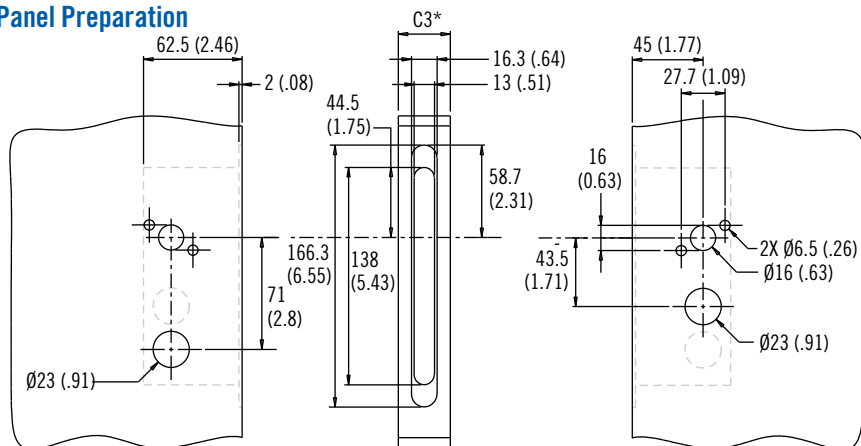
- 0 22-30mm (7/8" - 1 3/16")
- 1 28-37mm (1 1/8" - 1 1/2")
- 2 36.5-45mm (1 7/16" - 1 3/4")

**HH** Handle

- 01 Nova
- 02 Portofino

**MA - BB - D L T - HH - FF 0**

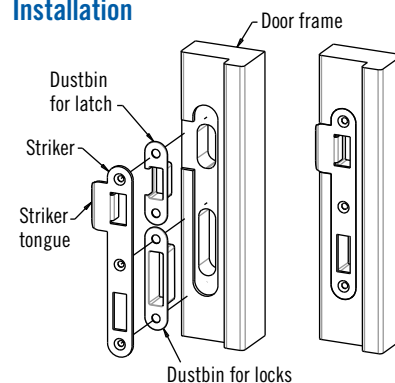
### Panel Preparation



### Striker



### Installation



### Part Number Selection

**Z** Dustbin Option

- 0 No Dustbin
- 1 With Dustbin

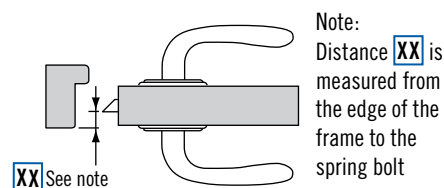
**MC - 90 - 4 XX - Y Z - 10**

**XX** Position

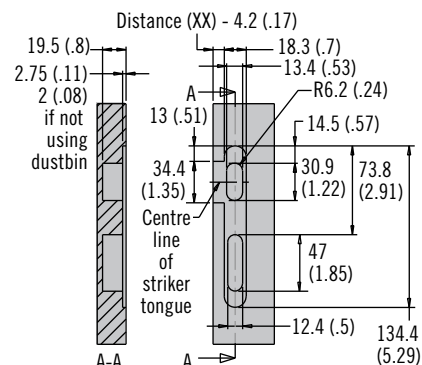
- 05 5mm (3/16")
- 07 7mm (1/4")
- 09 9mm (3/8")
- 13 13mm (1/2")
- 16 16mm (5/8")
- 21 21mm (7/8")

**Y** Swing

- 1 Right in/ Left out
- 2 Left in/ Right out



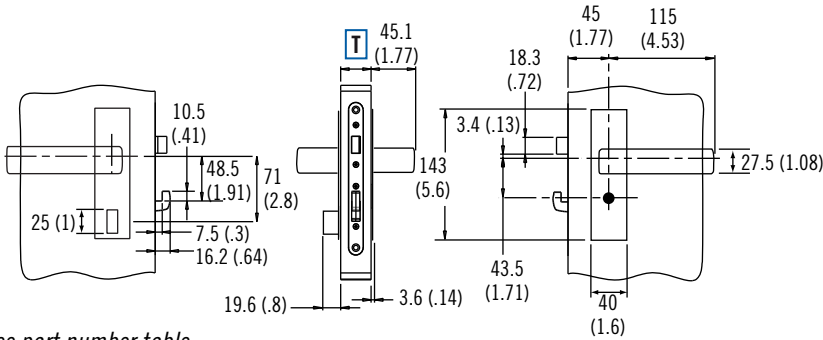
### Panel Preparation



# CABIN & COCKPIT ENTRY HARDWARE

## MA McCoy Star Square

A



\*See part number table

### Part Number Selection

**FF** Finish

- 10 Chrome
- 40 Diamond brass

**MA - BB - D L T - HH - FF 1**

**BB** Latch Mechanism

- 02 McCoy Star Standard Springbolt
- 07 McCoy Star Double Springbolt

**D** Directional

- 2 Right Out
- 3 Right In
- 4 Left Out
- 5 Left In

**L** Locking Option

- 0 Non Locking
- 3 Star key lock (2 Star Keys included)
- 5 Privacy knob with emergency egress

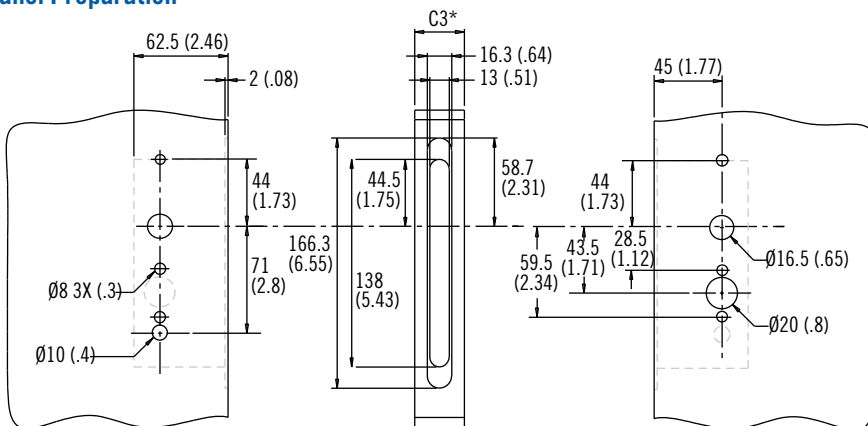
**T** Door Thickness

- 0 22-30mm (7/8" - 1 3/16")
- 1 28-37mm (1 1/8" - 1 1/2")
- 2 36.5-45mm (1 7/16-1 3/4")

**HH** Handle

- 42 Nordic

### Panel Preparation



# CABIN & COCKPIT ENTRY HARDWARE

MA McCoy & Olivari

Let Southco Marine provide the perfect accent to your interior design. Award winning Olivari handles can be teamed with the world class McCoy lockset to provide the look and feel that set your design apart.

Contact Southco Marine to discover the perfect finishing touch.

**FF** Finish

- 10 Chrome
- 12 Chrome + Satin Accent
- 14 Chrome + Brass Accent
- 20 Satin
- 21 Satin + Chrome Accent
- 40 Diamond Brass

**BB** Type

- 01 Round
- 02 Star Locking
- 07 Double Springbolt, Star Locking
- 08 Double Springbolt

**D** Directional

- 2 Right Out
- 3 Right In
- 4 Left Out
- 5 Left In
- 6 Right Out - Left In
- 7 Left Out - Right In

**T** Door Thickness

- 0 22-30mm (7/8" - 1 3/16")
- 1 28-37mm (1 1/8" - 1 1/2")
- 2 36.5-45mm (1 7/16 - 1 3/4")

**L** Locking Option

- 0 Non Locking (BB=01 or 08)
- 2 Privacy (BB=01 or 08)
- 3 Star Locking (BB=02 or 07)

**HHH** Handle

Refer to Olivari website and literature for 3-digit handle code for example  
Aster = 174  
Sector = 186

**MA - BB - D L T - HHH - FF**



A

Ensure that your desired finish is available for the selected handle style. Please note some Olivari handle designs may not be suitable for use with the privacy option. Contact Southco Marine for further information.

