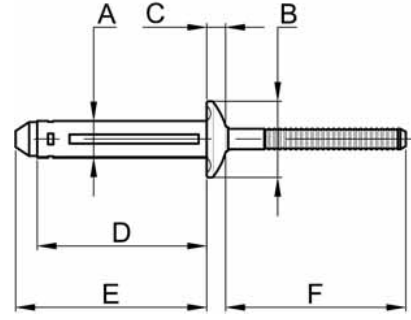
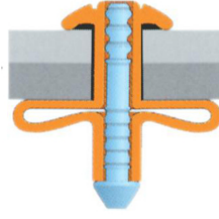
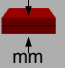



MAGNA-TITE ÇELİK BOMBE KAFA

MAGNA-TITE STEEL DOME HEAD



ÜRÜN NO PART NO	 mm	 [mm]	A	B	C	D	E	F
MTP-B6-5S	1,27-7,92					22,61	25,91	
MTP-B6-6S	2,54 - 9,53					23,88	27,18	
MTP-B6-8S	6,35 - 12,70	5,21 - 5,61	5,05	11,51	2,97	27,69	30,99	23,08
MTP-B6-10S	9,53 - 15,88					30,86	34,16	
MTP-B6-12S	12,70 - 19,05					34,04	37,34	

Kesme Kopma Değerleri (N) Shear Tensile Values (N)

ÇAP Ø	KESME	KOPMA
5,05	2891	2002