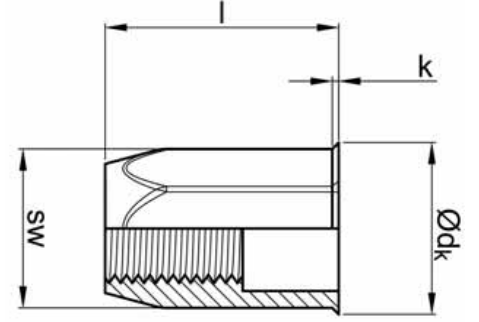
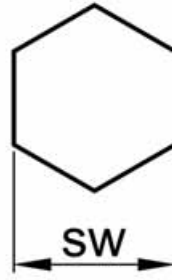
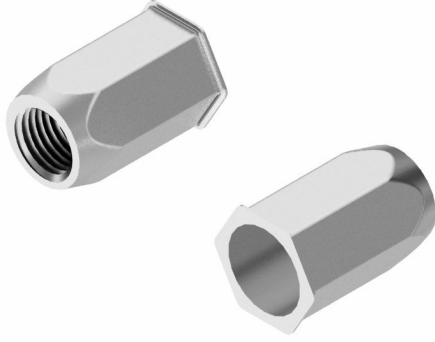

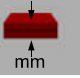


SOMUNLU PERÇİN ÇELİK ALTİKÖŞE GÖVDE SIFIR KAFA

RIVET NUTS STEEL HEX. REDUCED HEAD



			l [+1/-2] [mm]		$\varnothing dk$ [mm]	k [mm]	SW [+0/0,12] [mm]	\odot [Nm]	ÜRÜN NO PART NO
M4	SW1 6,0	\updownarrow [N] : 3.530 \rightleftarrows [N] : 1.470	11,0	0,5 - 2,5	7,0 [+0/-0,5]	$\leq 0,5$	5,9	5,0	
M5	SW1 7,0	\updownarrow [N] : 4.900 \rightleftarrows [N] : 1.760	14,5	0,5 - 3,0	8,0 [+0/-0,2]	$\leq 0,5$	6,9	7,0	
M6	SW1 9,0	\updownarrow [N] : 14.700 \rightleftarrows [N] : 2.940	16,0	1,0 - 3,5	10,0 [+/-0,2]	$\leq 0,6$	8,9	14,0	
M8	SW1 11,0	\updownarrow [N] : 21.560 \rightleftarrows [N] : 3.020	18,0	1,0 - 4,0	12,0 [+/-0,2]	$\leq 0,5$	10,9	21,0	
M10	SW1 13,0	\updownarrow [N] : 63.400 \rightleftarrows [N] : 3.430	19,0	1,0 - 3,5	14,5 [+0/-0,5]	$\leq 0,5$	12,9	76,0	

