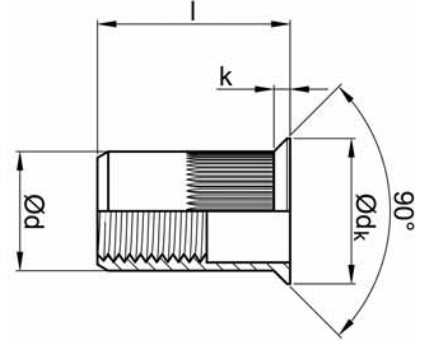

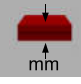


# SOMUNLU PERÇİN ÇELİK HAVŞA KAFA

## RIVET NUTS STEEL COUNTERSUNK HEAD



			$l$ [+1/-2] [mm]		$\varnothing dk$ [+/-0,5] [mm]	$k$ [mm]	$d$ [+0/0,12] [mm]	$\odot$ [Nm]	ÜRÜN NO PART NO
M4	$\varnothing 6,0$	$\begin{matrix} \updownarrow [N] : 7.860 \\ \rightleftarrows [N] : 2.210 \end{matrix}$	12,0	1,5 - 3,0	9,0	$\leq 1,5$	5,9	4,0	02.011233.M041201530
M5	$\varnothing 7,0$	$\begin{matrix} \updownarrow [N] : 10.780 \\ \rightleftarrows [N] : 2.320 \end{matrix}$	13,0	1,5 - 3,5	10,0	$\leq 1,5$	6,9	5,0	02.011233.M051301535
M6	$\varnothing 9,0$	$\begin{matrix} \updownarrow [N] : 16.660 \\ \rightleftarrows [N] : 3.660 \end{matrix}$	15,5	1,5 - 4,0	12,0	$\leq 1,5$	8,9	16,0	02.011233.M061551540
M8	$\varnothing 11,0$	$\begin{matrix} \updownarrow [N] : 30.840 \\ \rightleftarrows [N] : 4.720 \end{matrix}$	18,5	2,0 - 4,5	14,0	$\leq 1,5$	10,9	18,0	02.011233.M081852045
M10	$\varnothing 13,0$	$\begin{matrix} \updownarrow [N] : 34.300 \\ \rightleftarrows [N] : 5.050 \end{matrix}$	21,0	2,0 - 5,0	16,0	$\leq 1,5$	12,9	28,0	02.011233.M102102050

