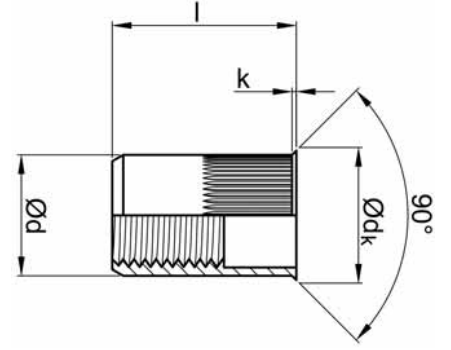

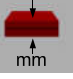
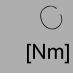


SOMUNLU PERÇİN ÇELİK SIFIR KAFA

RIVET NUTS STEEL REDUCED HEAD KNURLED BODY



Ø d3			l [+1/-2] [mm]		Ø dk [mm]	k [mm]	d [+0/0,12] [mm]		ÜRÜN NO PART NO
M3	Ø 5,0	$\begin{matrix} \updownarrow [N] : 4.300 \\ \rightleftarrows [N] : 1.100 \end{matrix}$	9,0	0,5 - 2,0	6,0 [+0,3/-0,7]	≤ 0,5	4,9	1,0	02.011223.M030900520
M4	Ø 6,0	$\begin{matrix} \updownarrow [N] : 6.470 \\ \rightleftarrows [N] : 1.620 \end{matrix}$	11,2	0,5 - 2,0	7,0 [+0,3/-0,7]	≤ 0,5	5,9	4,0	02.011223.M041100520
			13,0	2,0 - 4,0					02.011223.M041302040
M5	Ø 7,0	$\begin{matrix} \updownarrow [N] : 9.090 \\ \rightleftarrows [N] : 2.190 \end{matrix}$	11,5	0,5 - 2,0	8,0 [+0,3/-0,7]	≤ 0,5	6,9	5,0	02.011223.M051150520
			13,5	2,0 - 4,0					02.011223.M051302040
M6	Ø 9,0	$\begin{matrix} \updownarrow [N] : 16.660 \\ \rightleftarrows [N] : 2.350 \end{matrix}$	14,0	0,5 - 2,5	10,0 [+0,3/-0,7]	≤ 0,6	8,9	15,0	02.011223.M061400525
			16,0	2,5 - 5,0					02.011223.M061602545
M8	Ø 11,1	$\begin{matrix} \updownarrow [N] : 21.600 \\ \rightleftarrows [N] : 2.840 \end{matrix}$	16,5	0,5 - 3,0	12,0 [+0,3/-0,7]	≤ 0,6	10,9	18,0	02.011223.M081651030
			18,5	3,0 - 5,0					02.011223.M081853050
M10	Ø 13,0	$\begin{matrix} \updownarrow [N] : 31.750 \\ \rightleftarrows [N] : 2.460 \end{matrix}$	19,5	1,0 - 3,5	14,0 [+0,3/-0,4]	≤ 0,7	12,9	30,0	02.011223.M101951035
			22,0	3,5 - 6,0					02.011223.M102203560
	Ø 12,0	$\begin{matrix} \updownarrow [N] : 31.750 \\ \rightleftarrows [N] : 4.260 \end{matrix}$	19,5	1,0 - 3,5	13,0 [+0,3/-0,4]	≤ 0,7	11,9	30,0	02 011223 M101951035

